

Meteodata 140 S KNX

Item no.: 1409207

theben

KNX
Sensorik

Description

- Self contained outdoor weather station
- For measuring wind, rain, brightness and temperature
- For fully automatic blinds and sun protection control with automatic adjustment of blinds according to position of the sun
- Rain sensor with integrated heating
- The weather station can also be operated without mains supply. The heating of the rain sensor will not function then
- Measurement and evaluation directly on device
- Sun protection for up to 8 facades via 3 integrated brightness sensors
- 4 additional threshold channels for connection of external KNX sensors
- 6 logic channels
- Display of weather data e.g. with VARIA 826 KNX multi-function display

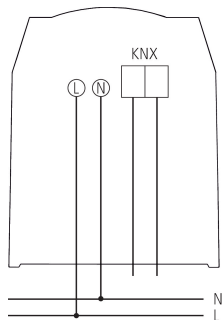


Technical data

Meteodata 140 S KNX	
Operating voltage	110 – 230 V AC
Frequency	50 – 60 Hz
Operating voltage KNX	Bus voltage, ≤10 mA
Stand-by consumption	<0.5 W
Installation type	Wall installation
Measuring range brightness	1 – 100000 lx

Meteodata 140 S KNX	
Setting range temperature	-30°C ... 60°C
Measuring range wind speed	2 – 30 m/s
Ambient temperature	-20°C ... 55°C
Type of protection	IP 44
Protection class	II

Connection example



Subject to technical changes and misprints

additional information at: www.theben.de/product/1409207

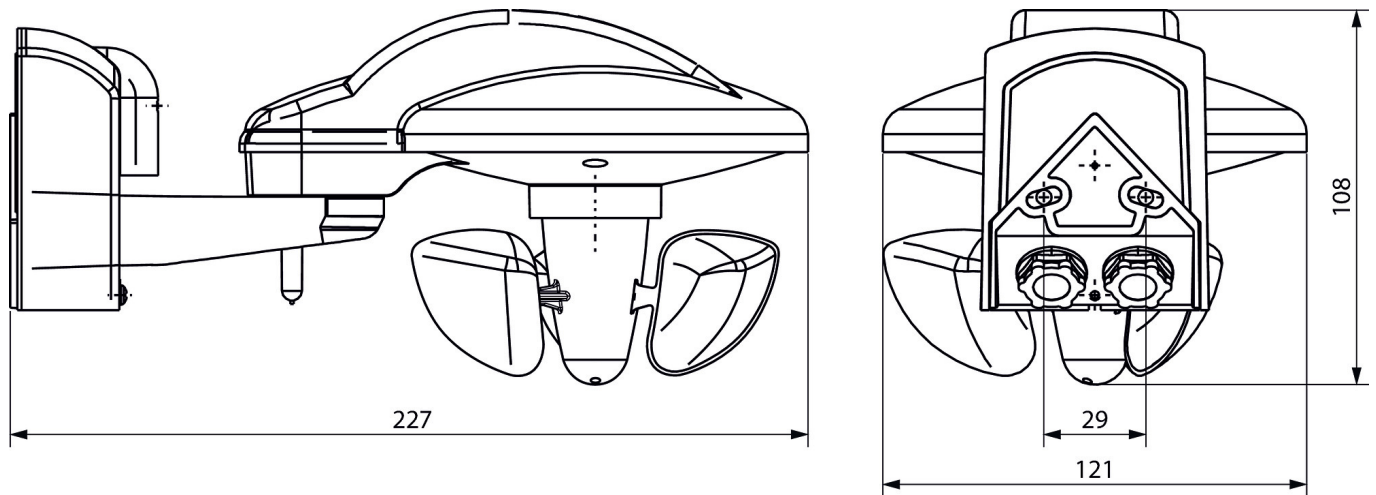
The load data are determined with exemplary selected illuminants and are therefore typical data due to the large number of available products.

Meteodata 140 S KNX

Item no.: 1409207



Scale drawings



Accessories

Mast mounting S
Item no.: 9070928



Mast mounting WML1
Item no.: 9070925



Subject to technical changes and misprints

additional information at: www.theben.de/product/1409207

The load data are determined with exemplary selected illuminants and are therefore typical data due to the large number of available products.